



CR



www.mantovanibenne.com

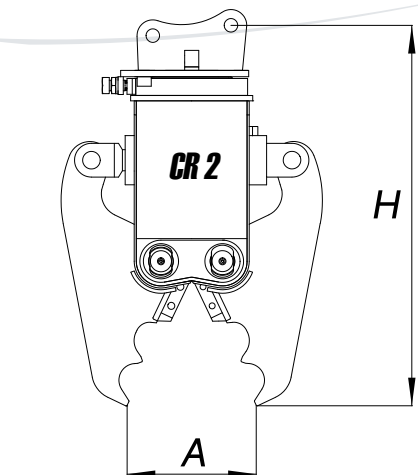


Mantovanibenne s.r.l. - Mirandola (Mo) Italy - Tel. +39 0535 615811 - Fax +39 0535 615830
sales@mantovanibenne.com

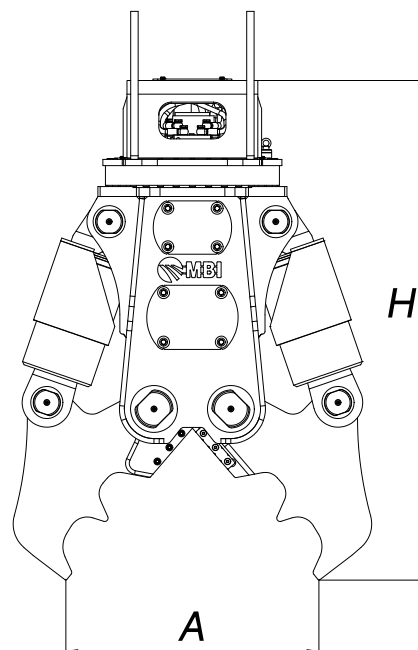
RIE 97875/E 01/12 Rev. 00
Caratteristiche di prodotto e specifiche possono variare senza obbligo di preavviso.
Les caractéristiques et les spécifications des produits peuvent être modifiées sans préavis.

CR Crusher

The CR demolition crusher attachment is made for primary demolition. The hydraulic demolition crushers are ideal for demolishing or removing building structures in reinforced concrete, for the quality, efficiency and accuracy of the work carried out.



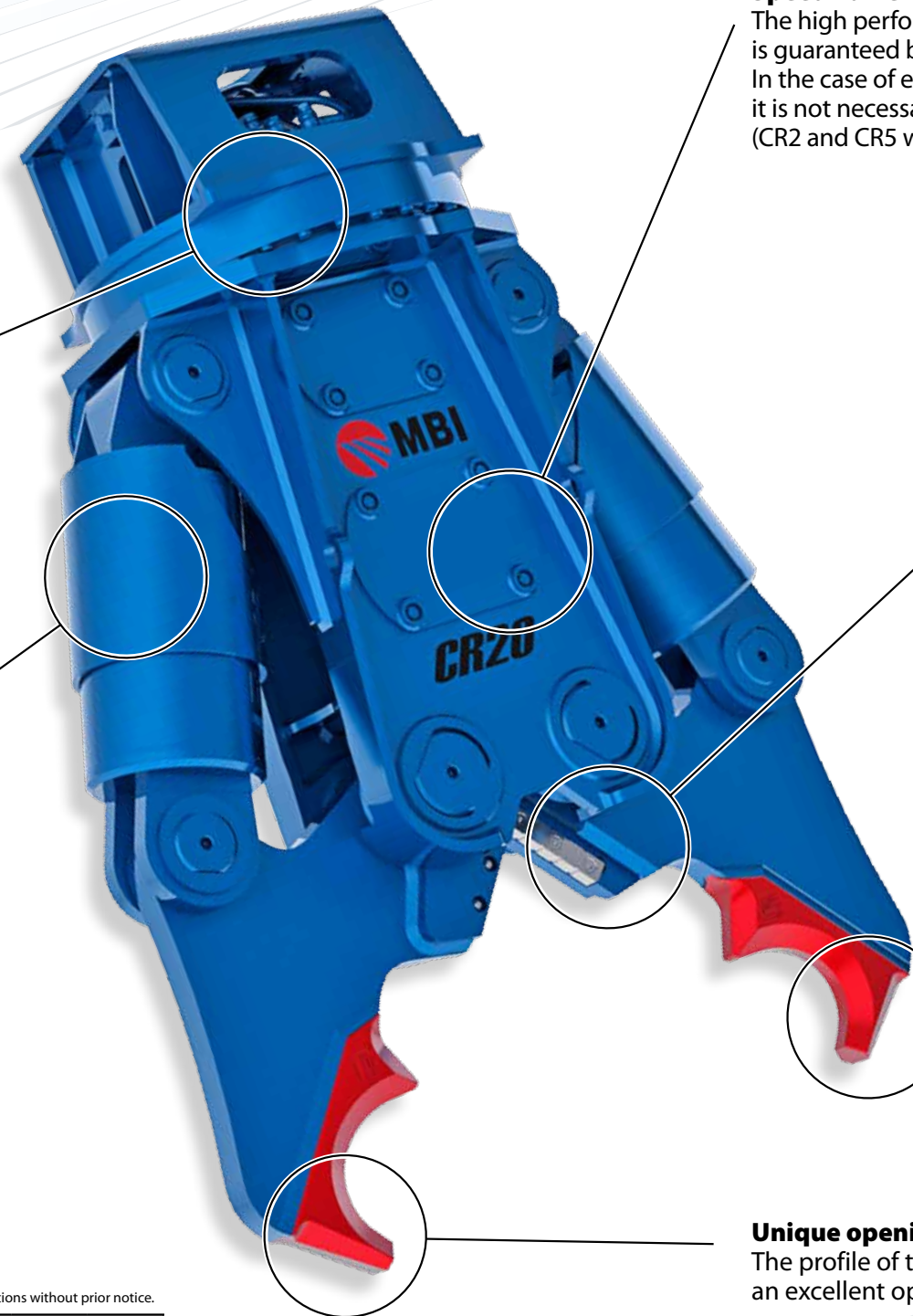
Design for model CR2.



Hydraulic rotation
The sturdy rotation allows accurate positioning of the attachment in any working environment and in complete safety. The crusher may be supplied with mechanical rotation.

Incredible strength
Thanks to the work of the two powerful cylinders this attachment gives an enormous force to the tips.

We are constantly improving our products and therefore we reserve the right to change the design and technical specifications without prior notice.



Speed Valve
The high performance of the cylinders is guaranteed by the presence of a speed valve. In the case of excavators with a high load capacity it is not necessary to use this application. (CR2 and CR5 without speed valve)

Blades
On each model there are blades for rebars cutting. The blades can be turned into its own different sides to recover the correct cutting profile.

Chamfered Jaws
The profile of the jaws there is a chamfer which increases the capacity to penetrate cement.

Unique opening
The profile of the jaws has been designed to provide an excellent opening that ensures a very high force.

TECHNICAL SPECIFICATIONS		MECHANICAL ROTATION						HYDRAULIC ROTATION 360°					
MODEL		CR2**	CR5	CR15	CR20	CR26	CR40	CR15R	CR20R	CR26R	CR40R	CR30R	CR100R
Excavator Weight	t	2-4	5-14	14-18	18-24	24-35	35-50	14-18	18-24	24-35	35-50	70-90	90-130
Tool Weight *	kg	240	530	1500	2000	2480	4100	1550	2050	2550	4200	8250	11000
Opening A	mm	360	450	920	1050	1100	1350	920	1050	1100	1350	1750	2000
Height H	mm	1070	1290	1800	2000	2200	2800	1800	2000	2200	2800	3500	3200
Hydraulic working pressure	bar	180-220	200-250	280-320	280-320	280-320	280-320	280-320	280-320	280-320	280-320	320-350	320-350
Oil flow	l/min	30-50	50-90	100-180	180-220	220-250	250-300	100-180	180-220	220-250	250-300	500-600	600-800

RIF. 97884/E

RIF. 97885/E

*Tool weight does include Mantovanibenne top bracket.

**with only one cylinder

