

Krings Trench shoring systems / Endsupported compact shoring systems

KS 60



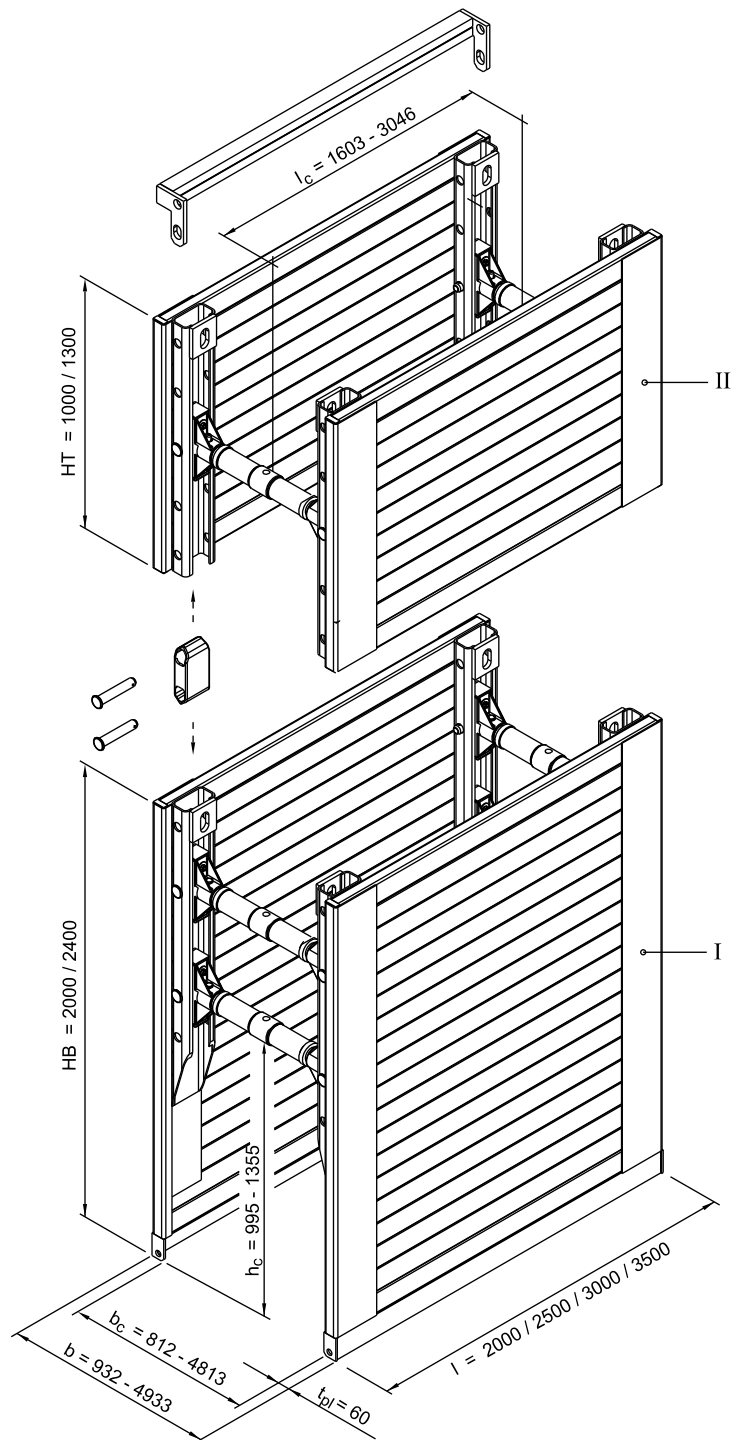
↑ KS 60

Shoring length	2,00 m - 3,50 m
Height base unit	2,00 m / 2,40 m
Height top unit	1,00 m / 1,30 m
Pipe culvert height	max. 1,355 m
Weight	1004 kg - 1532 kg

The Krings light weight KS 60 series Light-Box has been purposely designed and built to meet the criteria of high strength, light weight and maximum versatility. These characteristics have made the Krings KS 60 series of trench boxes suited to the demands of urban and inner city trenching applications.

Suitable for use in trench depths of up to 12.2' / 3.70 m. The light weight of these trench boxes ensures ease of handling at site. Small wheeled excavators and machinery can operate efficiently with these trench boxes, thereby offering maximum maneuverability in confined spaces, without causing otherwise costly damage to the road surface and or to neighbouring structures. The width of the unit can be altered using fixed length extensions. The KS 60 uses strut components which are common to the KS 100 and slide rail systems.

KS 60



I	Base unit	l_c	Pipe culvert length
II	Top unit	b	Shoring width
HB	Height base unit	b_c	Inner width
HT	Height top unit	h_c	Pipe culvert height
l	Length	t_{pl}	Thickness

KS 60

(All dimensions in mm)

Technical contents are subject to change. Publishing date 12/06/2008

KS 60

Base panels

Art. No.	l [m]	h [m]	t _{pl} [m]	h _c [m]	l _c [m]	G / VP [kg]	G / Box [kg]	A [m ²]	eh [kN/m ²]
131 060	3,00	2,00	0,06	0,995	2,61	423,0	1.112,0	6,00	27,0
131 080	3,50	2,00	0,06	0,995	3,05	571,0	1.408,0	7,00	26,5
131 040	2,00	2,40	0,06	1,355	1,61	380,0	1.026,0	4,80	40,0
131 050	2,50	2,40	0,06	1,355	2,11	439,0	1.144,0	6,00	32,0
131 070	3,00	2,40	0,06	1,355	2,61	482,0	1.230,0	7,20	27,0
131 090	3,50	2,40	0,06	1,355	3,05	643,0	1.552,0	8,40	26,5

* with struts SP SB 98x700

Top units

Art. No.	l [m]	h [m]	t _{pl} [m]	h _c [m]	l _c [m]	G / VP [kg]	G / Box [kg]	A [m ²]	eh [kN/m ²]
131 140	3,00	1,00	0,06	-	2,61	178,0	507,0	3,00	27,0
131 160	3,50	1,00	0,06	-	3,05	333,0	790,0	3,50	26,5
131 120	2,00	1,30	0,06	-	1,61	245,0	666,0	2,60	40,0
131 130	2,50	1,30	0,06	-	2,11	269,0	714,0	3,25	32,0
131 150	3,00	1,30	0,06	-	2,61	301,0	778,0	3,90	27,0
131 170	3,50	1,30	0,06	-	3,05	392,0	960,0	4,55	26,5

* with struts SP SB 98x700

Struts / Extensions

Art. No.	Short description	l [m]	G [kg]
138 280	Spindle to stick, SP SB 98x550		22,0
138 290	Spindle to stick, SP SB 98x700		34,5
138 300	Spindle to stick, SP SB 98x817, complete		66,0
108 960	Spindle -heavy duty design- right hand, SP SB 98x817		33,0
108 950	Spindle -heavy duty design- left hand, SP SB 98x817		33,0
139 430	Plug-in adapter pipe, ZW SB - 108x300	0,30	12,8
139 445	Plug-in adapter pipe, ZW SB - 108x500	0,50	17,0
139 385	Plug-in adapter pipe, ZW SB - 108x1000	1,00	27,0
139 400	Plug-in adapter pipe, ZW SB - 108x1500	1,50	37,0
139 420	Plug-in adapter pipe, ZW SB - 108x2000	2,00	47,0
139 425	Plug-in adapter pipe, ZW SB - 108x2500	2,50	60,0
139 510	Plug-in adapter pipe, ZW SB - 121x500	0,50	21,0
139 470	Plug-in adapter pipe, ZW SB - 121x1000	1,00	32,0

Shoring width SP SB 98x550

Extension bar	Length [m]	Inner width b _c [m]	Trench width b [m]
	without	0,812 - 1,012	0,932 - 1,132
139 430	0,30	1,112 - 1,312	1,232 - 1,432
139 445	0,50	1,312 - 1,512	1,432 - 1,632
139 385	1,00	1,812 - 2,012	1,932 - 2,132
139 400	1,50	2,313 - 2,512	2,432 - 2,632
139 420	2,00	2,812 - 3,012	2,932 - 3,132
139 425	2,50	3,312 - 3,512	3,432 - 3,632

KS 60

Shoring width SP SB 98x700

Extension bar	Length [m]	Inner width b_c [m]	Trench width b [m]
	without	0,988 - 1,328	1,108 - 1,448
139 430	0,30	1,288 - 1,628	1,408 - 1,748
139 445	0,50	1,488 - 1,828	1,608 - 1,948
139 385	1,00	1,988 - 2,328	2,108 - 2,448
139 400	1,50	2,488 - 2,828	2,608 - 2,948
139 420	2,00	2,988 - 3,328	3,108 - 3,448
139 425	2,50	3,488 - 3,828	3,608 - 3,948

Shoring width SP SB 98x817

Extension bar	Length [m]	Inner width b_c [m]	Trench width b [m]
	without	0,913 - 1,313	1,033 - 1,433
139 510	1 x 0,50	1,413 - 1,813	1,533 - 1,933
139 510	2 x 0,50	1,913 - 2,313	2,033 - 2,433
139 510	3 x 0,50	2,413 - 2,813	2,533 - 2,933
139 510	4 x 0,50	2,913 - 3,313	3,033 - 3,433
139 510	5 x 0,50	3,413 - 3,813	3,533 - 3,933
139 510	6 x 0,50	3,913 - 4,313	4,033 - 4,433
139 510	7 x 0,50	4,413 - 4,813	4,533 - 4,933

A maximum of 7 extension bars with a length of 500 mm may be used.

Accessories / Spares

Art. No.	Short description	l [m]	G [kg]	d [m]
138 170	Mushroom FP 80		13,0	
138 160	Pressure spring FP 80	0,084	0,5	0,054
138 020	Fixing for pressure spring 100 x 85	0,100	0,8	0,085
138 030	Bolt 125 x 20	0,125	0,4	0,020
138 070	Bolt 212 x 43	0,212	2,5	0,043
138 040	Bolt 140 x 20	0,140	0,4	0,020
138 200	Spring cotter 92 x 5	0,092	0,1	0,005
139 100	Connection stanchion 290 x 145		5,5	
139 130	Strut key (straight)		5,0	
139 125	Strut key (curved)		5,0	
139 110	Wire rope 4-legs, 1800 x 20	1,80	40,0	
139 115	Wire rope 4-legs, 2300 x 20	2,30	44,0	
139 120	Wire rope 4-legs, 2800 x 20	2,80	46,0	
139 070	Chain sling connection, 4-leg, 2300 x 13	2,30	45,0	
139 080	Chain sling connection, 4-leg, 2800 x 13	2,80	57,0	
139 150	Protection beam KS 60 - 3000	2,80	60,0	
139 155	Protection beam KS 60 - 3500	3,30	70,0	

l	Length	d	Diameter
l_c	Pipe culvert length	A	Area
b	Trench width	G	Weight
b_c	Inner width	G / VP	Weight per shoring panel
h	Panel height	G / Box	Weight per shoring box
h_c	Pipe culvert height	eh	Earth pressure max.
t_{pl}	Thickness		