

ATLAS Teamwork

AW 260



- powerful drive
- optimal traction
- advanced compaction technology

ATLAS
Weycor

TECHNICAL SPECIFICATIONS AW 260

Weight

		AW 260
Operating weight CECE	kg	2650
Average axle load CECE	kg	1325

Compaction performance

Average linear drum load	kg/cm	11.04
Amplitude	mm	0.5
Frequency I / II	Hz	53 / 61
entrifugal force at Frequency I / II	kN	25 / 34

Drums

Drum width	mm	1200
Drum diameter	mm	750
Drum thickness	mm	12
Lateral drum offset	mm	50

Drive/Transmission

Speed range	km/h	0-9
Angular movement	°	±12
Gradeability w/wo vibration	%	30 / 35

Engine

Model		Deutz
Type		D 2011 L2 i
Output	kW	22.5 (33.6 HP)

Tank capacities

Fuel capacity	l	50
Hydraulic oil capacity	l	40

Sprinkler system

Number of water tanks	l	1
Tank capacity		210
Number of pumps	l	1

Standard equipment

ROPS roll bar
Hydrostatic drive
Hydrostatic vibration system at both drums
2 centrifugal forces, 2 frequencies
Automatic vibration mode, double / single vibration
Pressurized interval sprinkler system

Standard equipment

Both drums equipped with spring-loaded brakes
Manual emergency stop switch with touch sensitive switch at the seat
2 resilient vulcollan scraper blades per drum
Spring-mounted driver's compartment
4 working headlights
Driver's seat with arm rests and safety belt
Lockable dashboard

Optional equipment

Lighting according to Road Traffic Regulations (StVZO) Laterally
slidable seat
Back up alarm
Rotating beacon
Edge cutting and pad roller
Special color
Environmentally friendly hydraulic fluid

Dimensions (in mm)

	AW 240
Distance between axles	A 1830
Width	B 1364
Road clearance	D 166
Height	H 2720
Drum diameter	H ₁ 750
Length	L 2670
Inside turning radius	R 2765
Outside turning radius	R ₁ 3965
Working width	W 1250
Drum width	W ₁ 1200
Steering angle	α ±30°

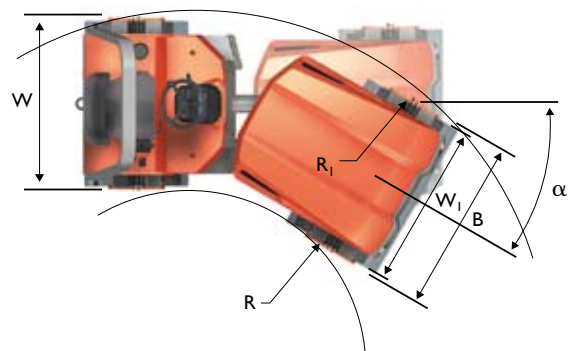
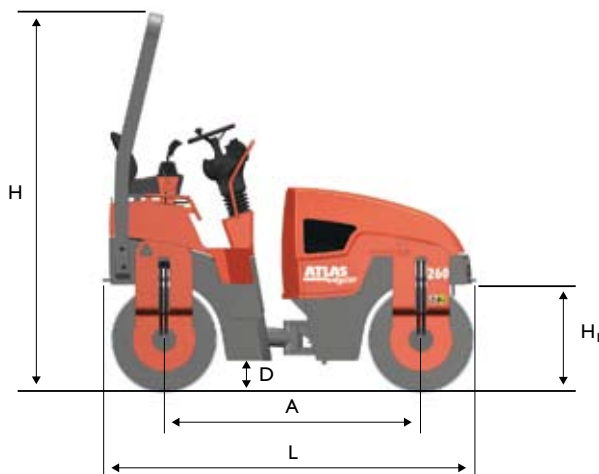
Sound level

Average acoustic power-level L _{WA} ⁽¹⁾ :	100.1 dB(A)
Guaranteed acoustic power-level L _{WA} ⁽²⁾ :	101.0 dB(A)
Sound pressure level L _{pA} ⁽³⁾ :	83.0 dB(A)

Specific vibration-data

Hand- / arm- / body-vibration ⁽⁴⁾ :	< 2.5 / 0.5 m/s ²
--	------------------------------

(1) According to 2000/14/EG & appendixes. (2) According to 2000/14/EG & appendixes.
(3) According to ISO 6396. (4) According to ISO 8041.



02/2013

Subject to technical alterations.

Atlas Weyhausen GmbH
Visbeker Straße 35
D-27793 Wildeshausen
Telephone +49 (0)44 31/981-0
Fax +49 (0)44 31/981-225
www.atlaswalzen.com

ATLAS
Weycor