

ATLAS Teamwork

AW 300



- powerful drive
- optimal traction
- advanced compaction technology

ATLAS
weycor

TECHNICAL SPECIFICATIONS AW 300

Weight

		AW 300
Operating weight CECE	kg	3000
Average axle load CECE	kg	1500

Compaction performance

Average linear drum load	kg/cm	12.00
Amplitude	mm	0.5
Frequency I / II	Hz	52 / 58
entrifugal force at Frequency I / II	kN	29 / 37

Drums

Drum width	mm	1250
Drum diameter	mm	750
Drum thickness	mm	12
Lateral drum offset	mm	50

Drive/Transmission

Speed range	km/h	0-9
Angular movement	°	±12
Gradeability w/wo vibration	%	30 / 35

Engine

Model		Deutz
Type		D 2011 L2 i
Output	kW	22.5 (33.6 HP)

Tank capacities

Fuel capacity	l	50
Hydraulic oil capacity	l	40

Sprinkler system

Number of water tanks	l	1
Tank capacity	l	210
Number of pumps	l	1

Standard equipment

ROPS roll bar
 Hydrostatic drive
 Hydrostatic vibration system at both drums
 2 centrifugal forces, 2 frequencies
 Automatic vibration mode, double / single vibration
 Pressurized interval sprinkler system

Standard equipment

Both drums equipped with spring-loaded brakes
 Manual emergency stop switch with touch sensitive switch at the seat
 2 resilient vulcollan scraper blades per drum
 Spring-mounted driver's compartment
 4 working headlights
 Driver's seat with arm rests and safety belt
 Lockable dashboard

Optional equipment

Lighting according to Road Traffic Regulations (StVZO) Laterally
 slidable seat
 Back up alarm
 Rotating beacon
 Edge cutting and pad roller
 Special color
 Environmentally friendly hydraulic fluid

Dimensions (in mm)

	AW 300
Distance between axles	A 1830
Width	B 1414
Road clearance	D 166
Height	H 2720
Drum diameter	H ₁ 750
Length	L 2670
Inside turning radius	R 2740
Outside turning radius	R ₁ 3990
Working width	W 1300
Drum width	W ₁ 1250
Steering angle	α ±30°

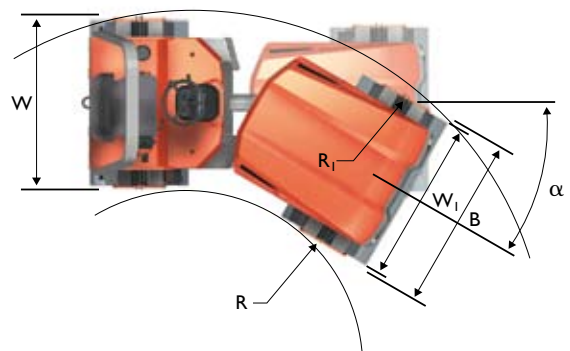
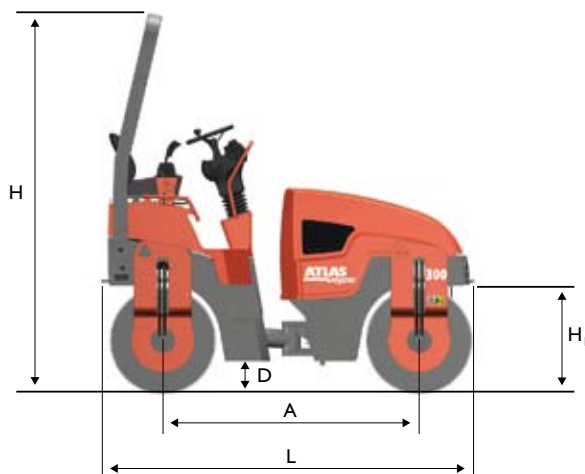
Sound level

Average acoustic power-level L _{WA} ⁽¹⁾ :	100.1 dB(A)
Guaranteed acoustic power-level L _{WA} ⁽²⁾ :	101.0 dB(A)
Sound pressure level L _{pA} ⁽³⁾ :	83.0 dB(A)

Specific vibration-data

Hand- / arm- / body-vibration ⁽⁴⁾ :	< 2.5 / 0.5 m/s ²
--	------------------------------

(1) According to 2000/14/EG & appendixes. (2) According to 2000/14/EG & appendixes.
 (3) According to ISO 6396. (4) According to ISO 8041.



02/2013

Subject to technical alterations.

Atlas Weyhausen GmbH
 Visbeker Straße 35
 D-27793 Wildeshausen
 Telephone +49 (0)44 31/981-0
 Fax +49 (0)44 31/981-225
 www.atlaswalzen.com

ATLAS
 Weycor